

DecoPanels

Acoustic wood slat panels

Installation guide

Dimensions

Panel Dimensions

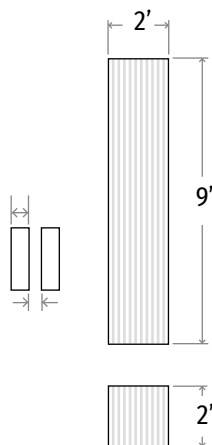
2750mm x 600mm x 21mm
108-1/4 in x 23-5/8 in x 13/16 in

Slat width: 27mm/35mm*

Gap width: 13mm/15mm*
*select panels

Tile Dimensions

600mm x 600mm x 21mm
23-5/8 in x 23-5/8 in x 13/16 in.

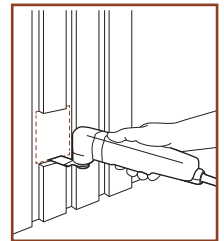


Fixtures - TV, shelves, frames

You can install any fixtures or fittings, including shelves and TV brackets. Simply drill through the panel and into your sub wall, then use the appropriate fixings i.e. wall plugs and screws.

Plugs and switches openings

- Make sure you measure the opening from the bottom and side of the panel to ensure correct fitment.
- Measure and mark your opening cut line using a pencil
- Cut the panels using a fine tooth wood saw or hand-held power tools.
- The felt can be cut with a sharp utility knife.



Pro-tip: Use an oscillating multi-tool to cut square openings.

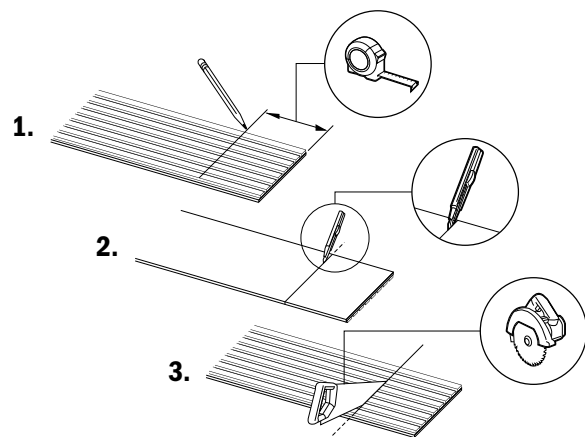
Tools

1. Saw, either circular or hand saw (for panel height)
2. Panel Adhesive (Polyurethane adhesive)
3. Screwdriver
4. Black panel screws, about 1-3/8 in. long
5. Pencil

Preparation

Ensure your wall is clean and remove any screws, nails or other fixings.

1. Measure and mark your cut line using a pencil and square edge.
2. Cut the felt with a sharp utility knife.
3. Cut the panels using a fine tooth wood saw or hand-held power tools.

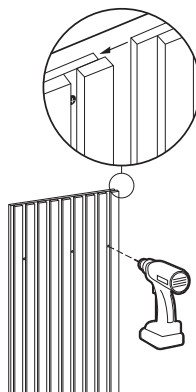


Installation with screws

- Each panel requires 15 screws aligned in rows of 3.
- Use the appropriate fixings for your walls
- Screw panel in between the slats, directly into the felt.
- Make sure the screws are securely anchored to the wall.

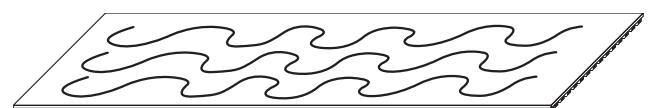
Pro-Tip:

- For maximum acoustic performance install the panels onto a wall that has mineral wool between the studs.
- If you are installing the Akupanel on a ceiling ensure your fixings are into structural points, such as joists.



Installation with Panel Adhesive

- Use a cartridge gun to apply polyurethane adhesive to the back of your panel. (1 tube of DecoPanels Panel adhesive will cover 2 panels.
- Apply this in an undulating pattern as shown in the diagram to achieve a flawless finish.
- Position the panel immediately in place against your wall and apply pressure to firmly secure.



info@decopanel.ca

www.decopanel.ca

Our website is full of resources for your project.

